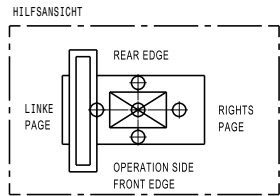
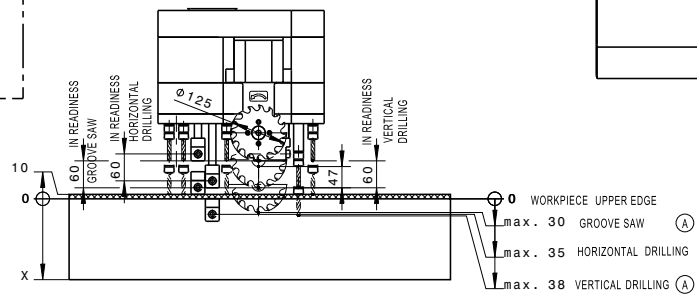


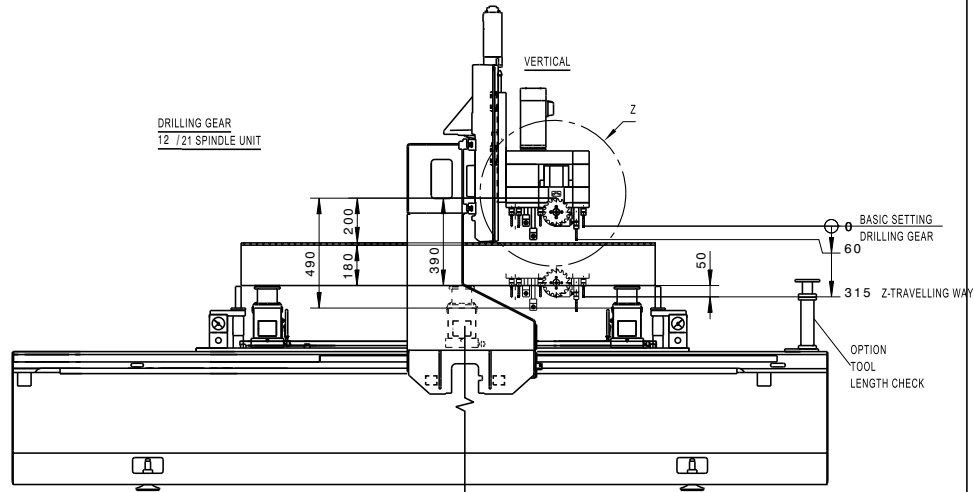
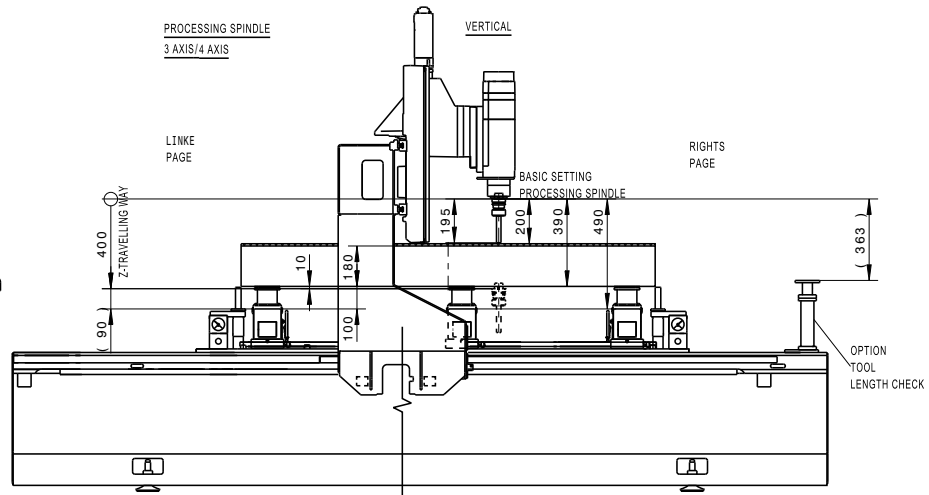
SECURITY DISTANCE
10 MM



DETAIL Z
DRILLING GEAR
1:10



WITHOUT OUR PERMISSION THIS
DRAWING MUST NOT BE REPRODUCED
NOR DUPLICATED
NOR MADE ACCESSIBLE TO
THIRD PARTIES OR
COMPETITORS



CENTATEQ P-210
BMG210../K+A
BASIC/FUTURE

HOMAG

		M	MATERIAL	-		
		1:20	CAST MODEL			
-A	aktualisier	12.12.22	Gäbler S.		DM	
AB	CHNG.NO.	DATE	NAME			
	DATE	NAME				
PROC.	19.03.2020	Gäbler S.				
CHCKD	12.12.2022	Babik, T.				
ISO 2768 MK-E			GENERAL OUTLINE			PLAN NO.
EN ISO 13920 -BE			CENTATEQ P-210			9-817-17-3331
COLOR CODE TABLE			TRIMMING UNIT			A3
					000	(C) Copyright reserved

HOMAG

CENTATEQ P-210
0-250-88-0826

9-817-17-3331
GENERAL OUTLINE CENTATEQ P-210

DOCUMENTATION D.93

