

# H G JOHNSON WOOD PRODUCTS LLC

Proposal made for: HARLEY JOHNSON  
Ironwood S 113  
K Sander



**Proposal:** IRD-0027646  
**Date:** December 26, 2018

**Sales Rep:** Nate Langerot  
Advantek Machinery  
316.573.7344  
nate@advantekmachinery.com

**ADVANTEK**  
ADVANCED WOODWORKING TECHNOLOGY

**STILES | HC**  
A HOMAG COMPANY

# Table of Contents

- 03** Corporate Capabilities
- 04** Introduction to Ironwood
- 05** Machine Introduction
- 06** Features & Details: Ironwood S
- 07** Features & Details: Ironwood S 113 K
- 09** Technical Specifications
- 11** Pricing
- 12** Optional Equipment
- 13** Additional Information
- 14** Technical Drawings
- 17** Terms & Conditions

## Attend an Event

Stiles hosts numerous Lunch & Learns, Manufacturing Solutions Seminars, and Benchmarking Tours to keep you informed, current and competitive. Visit [www.stilesmachinery.com/events](http://www.stilesmachinery.com/events) to join us at our next event.

## Stay Connected

Stay connected and informed on the latest happenings at Stiles Machinery through our website and social media platforms.

 /StilesMachinery

 @StilesMachinery

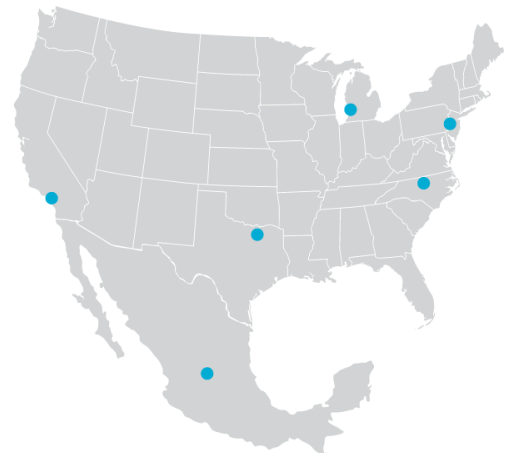
 /StilesMachinery

 @StilesMachinery

 /company/StilesMachinery

## Visit Us

Visit one of our many showrooms at our regional locations. Each showroom is staffed by our knowledgeable team members and offers live machine demonstrations.





**Your solution.**

We are North America's leading provider of innovative machinery and exceptional support services for the manufacturing industry. Our mission is to provide manufacturers of all sizes with the knowledge and tools they need to thrive.

**Over 48,000 service calls resolved annually**

**95% of parts orders shipped the same day**

**24-hour parts availability**

We understand that the success of your business depends on a multitude of properly working parts. That's why we make it our mission to get you the parts you need, fast. With over 400,000 ready-to-ship parts in stock and a 95% order fill rate from inventory, you can trust us to get you back in business in no time.

**Experienced service**

Downtime is expensive. It can hinder your productivity, reduce customer confidence and decrease profitability. With Stiles' network of five regional service centers and the nation's largest team of expert Field Service Technicians, the unparalleled service that you need is never far away.

**Finance solutions**

Stiles Machinery offers a variety of flexible financing options to meet your specific needs. With the help of our expert finance team, Stiles can help you reach your production goals while maintaining your financial reserves and cash flow.

**Software integration**

Stiles' broad range of innovative software solutions and cutting-edge diagnostic tools are designed to help you increase your competitive edge by enabling integration throughout your entire operation, from the office to the plant floor.

**Professional training**

Stiles University offers the industry's only program certified by the International Association of Continuing Education and Training (IACET). Learn from experts in the field and choose from over 48 courses at one of the Stiles University training centers, online, or in the convenience of your own facility.

**Around-the-clock support**

Your needs are our top priority, which is why we have a live person on call 24 hours a day, 365 days a year, to offer expert technical support. When you call, you will be connected to an experienced service professional who can review detailed data on your machinery and recommend the right fix, often within minutes.

**Enhancement technologies**

Stiles Enhancement Technologies offers the widest range of manufacturing solutions in the industry. Through ancillary equipment and upgrades to software, hardware, tooling, and more, we help keep your equipment current in an industry that is always evolving.

# IRONWOOD

## Equipment for the Selective Craftsman

### **Made by IRONWOOD. Made for you.**

The Ironwood™ brand encompasses a broad range of woodworking machines designed to deliver powerful results that maximize your investment. Widely trusted and respected by skilled craftsman across the continent, Ironwood's product offering provides speed, efficiency, and intelligent performance. Ruggedly built with supreme accuracy at an affordable price, the Ironwood series has become the benchmark for the selective craftsmen.

With a variety of models in each product series, the right machine for the right application at the right price is well within reach. Ironwood machines come standard, packed full of value-added features, facilitating ease of operation coupled with high performance.

Products include chop saws, rips saws, boring machines, planers, jointers, shapers, and wide belt sanders. With such a diverse product offering, Ironwood machines provide high-quality, highvalue solutions for a variety of professionals who desire the finest in woodworking technologies.

Ironwood manufactures its machines to exacting quality and performance standards. Supported by Stiles' parts and services, customers can be sure they are buying the best value on the market.

### **Come see for yourself**

We invite you to visit our facilities and meet our knowledgeable staff in order to receive a first-hand look at our products and solutions. It's the best way to understand and appreciate Stiles' quality and service. Just contact Stiles to set up a tour. We look forward to seeing you!

**Ruggedly built with supreme accuracy at an affordable price, the Ironwood series has become the benchmark for the selective craftsmen.**

# Ironwood S 113 K Sander

Designed for serious woodworkers who demand absolute precision, the Wide Belt Sander Series saves labor and offers versatility for a variety of sanding tasks. Ironwood Sanders come standard with heavy steel frames, robust sanding head construction, and easy-to-use controls. Whether calibrating, planing solid wood, or finish sanding, Ironwood has the machine for the job. Strong, stable, and easy-to-adjust, Ironwood is the the most simple, most reliable choice.



# Features & Details:

## Ironwood S Series

### **Strong and stable**

Ironwood wide belt sanders feature a heavy-duty steel frame and powerful motors built to withstand the rigors of the busy woodworking shop. The machine's construction prevents vibration that would transfer into the material affecting the workpiece. Robust sanding head construction ensures a long life and reliability. The conveyor table is mounted on four heavy-duty jack screws for smooth, stable, and accurate height adjustment.

### **Easy user control**

The machine includes a programmable digital controller, enabling quick set-up times and maximum stability, precision, and sanding quality. The controller's push-button display includes an onboard memory for preset heights for the sanding pad, making it easy to recall commonly used settings. Electronic abrasive belt tracking assist devices enable easy loading and unloading of abrasion belts. Manual hand wheel height adjustments give the operator pin-point accuracy at the tip of his or her fingers.



### **Reliable precision**

The sanding head boasts maximum horsepower for smooth and vibration-free sanding. Rubberized hold down rollers provide consistent grip to secure the workpiece in place. The machine's unique platen design in conjunction with automatic conveyor belt tracking with variable feed speed yields optimal sanding results.

# Features & Details:

## Ironwood S 113 K



### Sander, Reliable Performance

- Single combination head
- Steel contact roller
- Height-adjustable sanding pad
- The Poly-v-belt drive is compact, with high power transmission, which can reduce energy consumption
- The belt has a larger contact surface area than V belts or flat belts; no need for stepped pulleys
- Automatic conveyor belt tracking for worry-free conveyor belt operation
- Large-diameter tensioning roller (100 mm)



### Digital Controller: Easy user control

- The controller quickly adjusts machine thickness (+/- 0.1 mm or 0.004")
- Controller storage capacity of 99 programs enables easy and fast adjustment
- Displays show inches or millimeters to allow accurate positioning to 3 decimal places
- Simple push button controls turn each head on and off
- Control switch with key for service or operation mode
- Amp meters for each sanding head
- Hour meter display
- The emergency stop button is immediately accessible

Unmatched accuracy

## Features & Details: **Ironwood S 113 K** (continued)

### **Safety**

- Abrasive belt run-off protection
- Abrasive belt tensioning with safety switches located on the front of the machine
- Safety switches on all access doors and emergency stops are located at infeed and outfeed locations
- Pneumatic disc motor braking system
- Workpiece over-thickness protection system
- All electronics are UL and CSA approved



# Technical Specifications

**Dimensions** All equipment offered is made to metric standards. Dimensions shown in English measure are approximate and for comparison purposes only.

## CONFIGURATIONS

Head 1	Combination head – 130 mm, steel contact roller with pad
Head 1 Motor and Feed Speed	15 HP 65 fps belt speed
Head 1 Rotation Direction	Against the Feed

## AIR REQUIREMENTS

Dust collection requirements	800 CFM
Dust Ports	2 at 100 mm (4")
Compressed air requirements	90 PSI
Air consumption per cycle	4 CFM

## SANDING SPECIFICATIONS

Working width maximum	910 mm (36")
Conveyor belt width	910 mm (36")
Abrasive belt width	940 mm (37")
Abrasive belt length	1524 mm (60")
Minimum workpiece thickness	3 mm (1/8")
Maximum workpiece thickness	125 mm (4.9")
Minimum workpiece length	400 mm (15.75")
Variable conveyor speed	4 – 16 MPM (13 - 52 FPM)
Feed motor	2 HP
Table rise/fall motor	½ HP

## Technical Specifications (continued)

### MACHINE SPECIFICATIONS

Machine net weight	1,225 kg (2,700 lbs)
Machine gross weight	1,360 kg (3,000 lbs)
Shipping dimensions (L x W x H)	1752 x 1829 x 2057 mm (69 x 72 x 81")

### POWER REQUIREMENTS

Electrical connection	230V / 460V, 3-Phase, 60 Hz
Amperage	53A at 230V / 26A at 460V

# Ironwood S 113 K

## \$15,990 USD

**Proposal:** IRD-0027646  
**Date:** December 26, 2018  
**Sales Rep:** Nate Langerot  
Advantek Machinery  
316.573.7344  
nate@advantekmachinery.com

# ADVANTEK

ADVANCED WOODWORKING TECHNOLOGY



**Installation:** \$1,750 USD

**Freight:** Not Included

**Finance Your Next Solution:** Stiles Machinery offers a variety of flexible financing options to meet your needs. Contact your sales representative or our team of financial experts who can put together a package that is right for you. Take the next step by reaching out to our leasing department at [leasing@stilesmachinery.com](mailto:leasing@stilesmachinery.com) for a detailed leasing quote.

**Delivery:** Equipment is available for shipment from place of inventory after receipt of official order with down payment and clarification of all technical details; subject to prior sale. Otherwise, shipment from the factory is approximately 12 to 18 weeks after receipt of official order with down payment and clarification of all technical details. Delivery times are estimates; they do not represent commitments and are dependent on upon the factory's order book at the time of order and when deposit monies are received.

**Terms of Payment (Subject to Credit Approval):** 50% with order, 50% net 15 days

**Terms:** All prices quoted are F.O.B. Port of Entry. Price quoted includes importation. Price quoted excludes all state and local taxes.

# Optional Equipment: Ironwood S 113 K

**ROLLER TABLE, INFEEED WITH 2 ROLLERS**  
INFEEED ROLLER TABLE S113K

**\$660 USD**

---

# Additional Important Information

## Technical Support

Your needs are our top priority, which is why we're only a phone call away. With the purchase of your equipment, you will receive complimentary enhanced support services from Stiles Machinery. This includes 24-hour technical support for a period of two years, and if applicable, machine software phone support and remote diagnostics\* from 8:00 am to 5:00 pm (EST). After the first two years, free technical advice is included at no charge from 8:00 am to 5:00 pm (EST) for the life of the machine.

Our technical support department can assist with:

- Electrical Troubleshooting
- Mechanical Advice
- Application Assistance
- Remote Diagnostics (if applicable)
- Software Support (if applicable)

\*Note: Remote connection requires the customer to provide an internet-accessible network connection to the machine.

## Exceptions

- Dust Extraction System and connecting ducts (unless otherwise quoted)
- Foundation Modifications, if necessary, including floor or masonry work
- Electrical and pneumatic service, including wiring and piping
- Staging tables or conveyors (unless otherwise quoted)
- Unloading, appropriate storage, and transportation of machinery at customer location
- Equipment to assist in installation (i.e. forklifts, cranes, scissor lifts, etc.)
- Electrical trays, wire, conduit, supports, etc.
- Building alterations
- Moving of existing machinery or site preparation
- Permits to install and operate (when required)
- Material for trial or start-up runs, such as raw boards, foils, veneer, adhesive (as well as application system), etc.
- Compressed air lines
- Surge protected electrical services to the site with no more than  $\pm 5\%$  variance in input voltage
- Air make-up system

## Tooling (if applicable)

Tooling for the proposed machine is not supplied in the price quoted, unless otherwise stated. Stiles Machinery will provide a quotation for tooling upon receiving written documentation from customer stating their tooling application requirements. Any tooling requiring special application (i.e. profiles, grooves, cope, tenons, etc.) will

require detailed drawings and/or samples to accompany the request.

Tooling ordered from any source other than Stiles Machinery Inc. will release Stiles Machinery of any responsibility for the performance of the machine functions dependent upon tooling.

## Installation (if applicable)

Stiles Machinery Inc. cannot be held responsible for any delays caused by customs authorities.

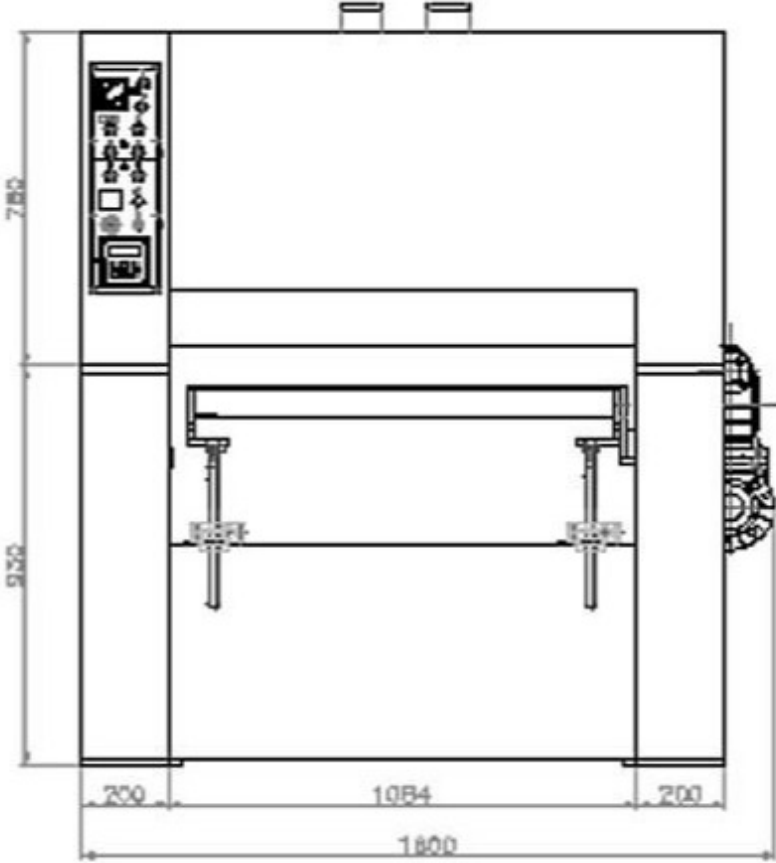
Stiles Machinery defines installation as the assembly and preparation of the machine to the 'ready-to-run' state; it does not include any preparation of the site, floor, anchoring of machine to floor, masonry work, running of electrical, pneumatic or dust extraction services to the site, or building alterations.

Your Company is responsible for the off-loading and positioning by crane, forklift or other means, as well as supplying the necessary equipment to perform this task. At your Company's request and expense, a Stiles field service representative can be made available during the off-loading and positioning in order to act in an advisory capacity, but this is to be understood as fully at your own risk. Moving and modifying existing machinery in your facility is not included in the installation.

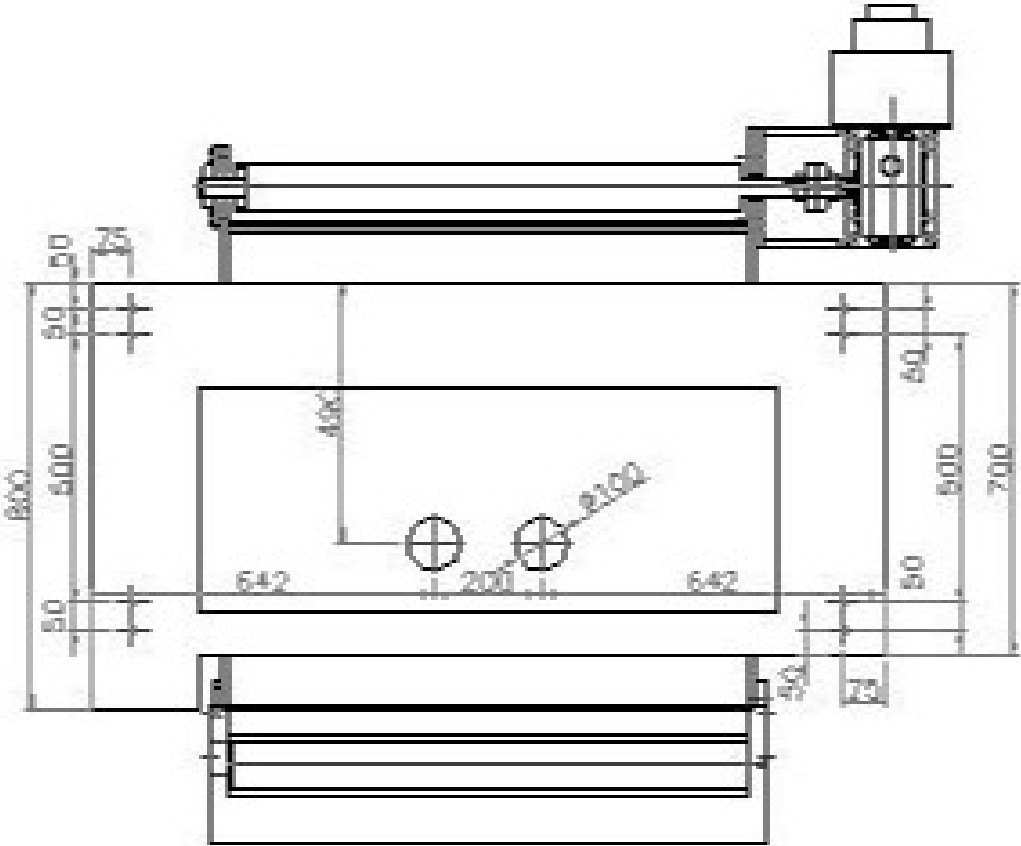
Once the machine is in the "ready-to-run" state and the necessary services have been provided, the field service representative will test run, adjust as necessary, demonstrate, and instruct your personnel who are selected to operate and maintain this machine. The field service representative will also review the manuals supplied for this equipment.

Programming of customer patterns/samples is not included. Our field service representative will demonstrate to your personnel how to enter your patterns/programming into the control as part of the installation. If additional instruction is requested, our field service representative will be available at the current published service rates.

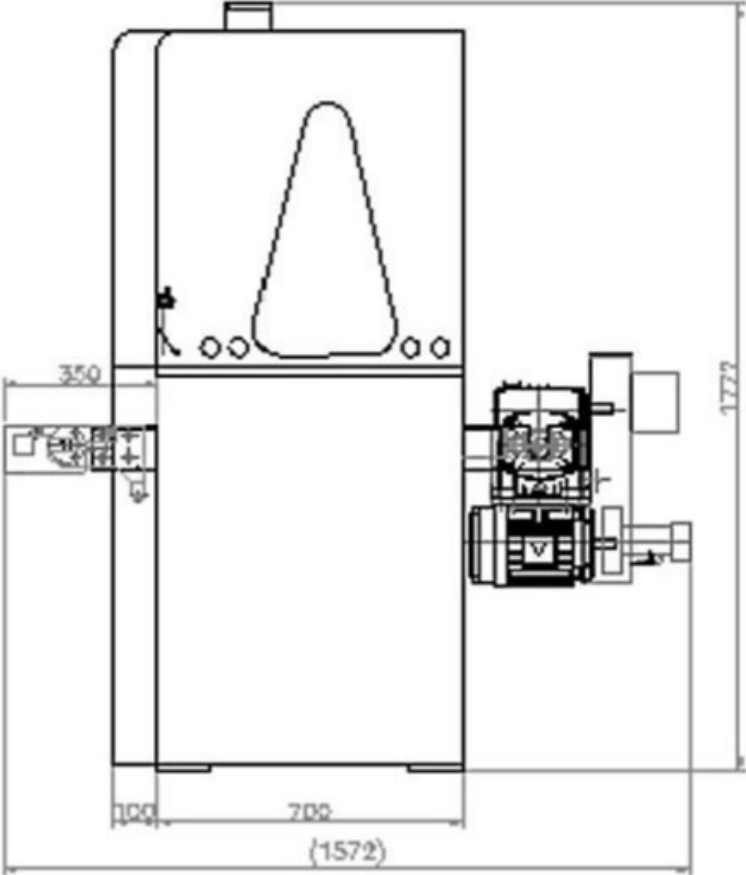
# Technical Drawings: Ironwood S 113 K



Technical Drawings: Ironwood S 113 K (continued)



Technical Drawings: Ironwood S 113 K (continued)





# Terms & Conditions

All equipment listed is offered subject to our Standard Terms and Conditions of Sale, a copy of which is attached. Terms of payment offered herewith, or any terms agreed upon, are subject to proper credit approval. Due to fluctuations in currency exchange rates and freight costs, all prices are subject to confirmation or revision at time of order.

Price of additional equipment, if any, valid only when installed at the factory during construction of the machine, and/or shipped with original machine. Technical description and data are subject to change or modifications without notice. Stiles Machinery is not responsible for differences between product literature and our formal written proposal. Our offers are contingent upon strikes, accidents to machinery by carriers, or any other cause beyond our control.

Unless specifically stated otherwise within the terms of this proposal, Stiles has no responsibility for staging, alignment or any other preparation of parts, panels or other materials fed into or otherwise introduced into the equipment covered by this proposal or for any unloading, stacking, routing, storing or any other disposition of parts, panels or other materials exiting such equipment.

This offer is valid for thirty (30) days.

---

## STANDARD TERMS AND CONDITIONS OF SALE

### 1. Acceptance

This agreement by Seller is subject to assent by the customer ("Buyer") to all terms herein to which Buyer has previously objected (if any), or which materially alter any terms proposed by Buyer (if any) covering the subject matter of this agreement. Buyer's acceptance of any part of the goods sold hereunder, any payment by Buyer for such goods, or any other form of acceptance by Buyer, shall constitute Buyer's acceptance of all terms and conditions herein. Descriptions, specifications, information and other data concerning Seller's products contained in Seller's catalogs, circulars, advertisements, price lists, or similar promotional materials or representations or statements thereof made by Seller's representatives or sales agents are the Seller's estimates and approximations only, and shall not be binding except as and to the extent expressly agreed to by Seller. Seller objects to any terms and conditions proposed by Buyer which vary the terms hereof. Buyer acknowledges that these terms and conditions shall continue to be binding on Buyer regardless of any type of financing utilized by Buyer and/or any assignment of this agreement by Buyer. Buyer may only assign this agreement with Seller's written consent. Unless specifically provided otherwise within the terms of this agreement, seller has no responsibility for staging, alignment or any other preparation of parts, panels or other material fed into or otherwise introduced into the equipment covered by this agreement, or for any unloading, stacking, routing, storing or other disposition of parts, panels or other materials exiting such equipment.

### 2. Price Adjustment

Prices are based upon material, production, and manufacturing costs as of the date hereof and upon duty, surcharge, tariff and similar import or export charges and currency exchange rates in effect on the date hereof. Should there be changes adverse to Seller in such prices, charges or rates occur, the Seller reserves the right to adjust prices accordingly. Seller's quotations are not binding upon Seller unless expressly stated as such in writing.

### 3. Delivery, Shipment, Security Interest, Risk of Loss, and Claims

Delivery of goods covered hereby shall be F.O.B. at the port of entry nearest Buyer unless otherwise specified by Seller. Seller may, at its option, ship all of the goods covered herewith at one time or in portions from time to time. Seller will attempt to ship goods for delivery on or about the times stated on the face hereof, although time shall not be of the essence in this contract. In the absence of instructions from Buyer, Seller shall have absolute discretion as to mode and routing of shipment. Until Buyer has paid in full for all products sold, Buyer grants to Seller a

security interest in all such products and to the proceeds thereof. Buyer authorizes Seller to execute or authenticate, or at Seller's option, Buyer shall execute and deliver, any financing statements or other documents that Seller may reasonably require for the perfection of such security interest and Buyer hereby authorizes Seller to do all other acts reasonably necessary for the establishment, perfection, preservation, and enforcement of its security interest. Risk of loss of the goods shall pass to Buyer upon identification of the goods to the contract. Buyer shall have all responsibility for and expense of preparing and filing claims against carriers for loss or damage to goods in transit.

### 4. Force Majeure

Seller shall have no liability for any non-performance or delay in performance caused by circumstances beyond Seller's control, including, but not limited to, acts of God, fire, flood, war, government action, accident, labor trouble or shortage, inability to obtain material, equipment or transportation, or failure of Seller's suppliers to furnish the goods.

### 5. Taxes

Buyer shall pay all privilege, occupation, personal property, sales, excise, use and other taxes applicable to the sale, purchase, storage, erection, use or ownership of the goods covered hereby, regardless of whether such taxes are invoiced by Seller.

### 6. Installation, Setting Up and Starting Goods

Unless otherwise agreed, prices do not include product erection or installation which shall be Buyer's responsibility and expense. Buyer may obtain erection or installation service and assistance from the Seller pursuant to a separately negotiated agreement, provided however, that nothing in this agreement shall obligate Seller to enter into any such agreement with Buyer except upon terms and conditions acceptable to Seller. The limited warranty as provided for in paragraph 9 shall apply only to products erected or installed by Seller or under Seller's supervision, or by some person or organization expressly approved and authorized in writing by Seller to perform such erection or installation. In the event any product is not thus erected or installed, this limited warranty shall terminate immediately upon erection or installation or expiration of Buyer's 10-day inspection period as provided for in paragraph 11. The average cost of meals for Internal Revenue reporting is .19% of the cost of the goods. Seller accepts no responsibility for material and equipment or for the acts of persons furnished by Buyer.

### 7. Payment Terms

Unless otherwise agreed, the net amount for products purchased shall be due and payable by Buyer immediately upon

## Terms & Conditions (continued)

receipt of Seller's invoice. Invoices not paid within thirty (30) days after the date of Seller's invoice will be subject to carrying charges. Carrying charges shall accrue in the amount of one and one half percent (1 - 1/2%) per month (18% per annum) on any overdue unpaid balance. Seller's invoice shall constitute an "evidence of indebtedness" as that term is related to the recovery of attorney's fees. Buyer shall reimburse Seller for the costs of collection, including reasonable attorney's fees of any overdue amount owed by Buyer to Seller and such collection costs shall be added to Buyer's indebtedness subject to the aforementioned carrying charges. If, in Seller's opinion, Buyer's financial condition at any time does not justify continuance of the production or shipment on the terms of payment herein specified, Seller may require full or partial payment in advance. All payments shall not be deemed to have been made until so received by Seller. Buyer shall have no right and waives any right to set off, offset or recoup any debts or liabilities of Seller to Buyer against amounts deposited with Seller or due Seller for the purchase of goods covered hereby.

### 8. No Liability to Third Persons

Seller shall in no way be liable to Buyer for any claim or action by any third person arising out of or alleged to arise out of the delivery of goods covered hereby or out of the presence of Seller's employees on Buyer's premises in connection with this agreement, or out of the use, by Buyer or third persons, of the goods covered hereby. "Third persons" shall include, without limitation, employees of both Buyer and Seller as well as all third persons not connected with Buyer or Seller.

### 9. Remedies of Buyer and Limitation of Warranties

Seller warrants that the goods sold hereunder shall be free from defects in materials and manufacture at the time of delivery to Buyer. Seller may, at its option, repair or replace any defect, or pay the reasonable cost thereof, for any such defects notice of which is given to Seller within thirty (30) days after discovery of such defect by Buyer, but not later than one (1) year after delivery of the goods to Buyer, except that notices for defects relating to motors, bearings, switches, contactors, relays, electronic components, air controls or air switches must be received within one hundred eighty (180) days of delivery of goods to Buyer. Seller shall have no obligation to remedy any defect except upon delivery of the defective part or parts to Seller at Seller's office in Grand Rapids, Michigan. The repair, replacement, or payment in the manner described above shall be the exclusive remedy of Buyer for breach of Seller's warranty. **Seller disclaims all other warranties whatsoever, express or implied, including all warranties of merchantability and fitness for a particular purpose. In no event shall Seller be liable for any consequential, incidental, special or indirect damages whatsoever (including without limitation personal injury, property damage, lost profits or other economic injury) even if Seller has been advised of the possibility of such damages. Buyer shall have no right of rejection or revocation of acceptance against Seller for any part or all of the goods covered hereby.** Normal wear, tear, and deterioration during use, including but not limited to such items as light bulbs, belts, synthetic material and fuses, shall not constitute a defect in material or manufacture under this limited warranty. The one (1) year limited warranty is based on Buyer's business consisting of a single shift eight hour per day operation. In no event is Seller liable for any damages or loss attributable to incorrect use or abuse of the goods, including but not limited to, inadequate or improper maintenance or unauthorized alteration. The foregoing warranty of Seller shall not limit Buyers' recourse against a manufacturer of goods sold hereunder for any warranty extended by such manufacturer. The warranty of any manufacturer or other third party shall not be deemed to be the warranty of Seller.

### 10. Compliance with Laws

Unless otherwise expressly agreed in writing signed by Seller and Buyer, Seller shall not be liable to Buyer for, and Buyer agrees to indemnify and defend and hold Seller harmless from, any liability arising or alleged to arise out of, any failure of the

goods covered hereby to conform to any federal, state, or local law, order, regulation, or standard. The equipment is wired according to UL standards and may not conform to local codes in your area. If local regulations require inspection, the cost of the inspection and any modification(s) to the equipment is the responsibility of Buyer.

### 11. Statute of Limitations, Claims

No suit may be brought by Buyer for any breach by Seller or any other claim arising out of this contract after two (2) years from the date of delivery of the goods covered hereby. Within ten (10) business days after receipt by Buyer of products sold, Buyer must give written notice to Seller of any claim based upon the condition, quantity, or grade of the products sold or of any claimed nonconformity with Buyer's specifications, which notice must indicate the basis of Buyer's claim in detail. The failure of Buyer to comply with this paragraph 11 shall constitute irrevocable acceptance of the products sold to Buyer and bind Buyer to pay to Seller the full price of the goods or equipment.

### 12. Waiver of Claims or Defenses Against Secured Parties

Waiver of Claims or Defenses Against Secured Parties Buyer agrees that it will not assert against any party having a security interest in any contract between Buyer and Seller, or in the inventory or accounts of Seller, or against any other assignee of any such contract, accounts, or inventory, any claim or defense which Buyer may have against Seller.

### 13. Safety Devices

In operating the products, Buyer shall use and require its employees and agents to use all safety devices and guards on the products and will otherwise employ safe operating procedures. Buyer shall not remove or modify any such devices, guards or warning signs. Should Buyer fail to observe such safety precautions, Buyer will indemnify and save Seller harmless from any risk, liability, or obligation to persons injured directly or indirectly in connection with the operation of the products. Buyer assumes full responsibility for damages to the products as a result of the use of qualities, grades, or quantities of materials which adversely affect the construction and operation of the products. Buyer further assumes full responsibility for training and to warn and protect all operating personnel and keep others away from any and all dangers in connection with the operation of the products. If any additional safety devices or guards are specified by Buyer, or by local laws/ regulations, these safety devices or guards must be identified by Buyer and Seller will then provide a quotation.

### 14. Cancellation

An order once placed with and accepted by Seller can be cancelled by Buyer only with the written consent of Seller and upon the terms that will indemnify Seller against any loss.

### 15. Governing Law, Venue, Service of Process

This contract shall be deemed to have been made in the State of Michigan, and any action arising out of it shall be governed by the law of the State of Michigan. Any action arising out of this contract may be brought only in a state or federal court sitting in the County of Kent, State of Michigan. Buyer consents that such courts shall have personal jurisdiction over Buyer with respect to any such action.

### 16. Reservation of Rights

No failure of Seller to insist upon or compel compliance by Buyer with any of the terms, provisions, or conditions hereof shall be construed as a waiver by Seller of its right to insist upon compliance therewith in the future.

### 17. Complete Agreement; Modification

The provisions hereof are intended as a complete and exclusive statement of the terms of the agreement between Seller and Buyer. This agreement may not be modified, rescinded, or cancelled, and no waiver by Seller of any claim or right hereunder shall be effective, except by writing signed by an officer of Seller.

# **YOUR SOLUTION**

---

STILES MACHINERY INC. 3965 44TH STREET SE GRAND RAPIDS, MI 49512

[STILESMACHINERY.COM](http://STILESMACHINERY.COM)