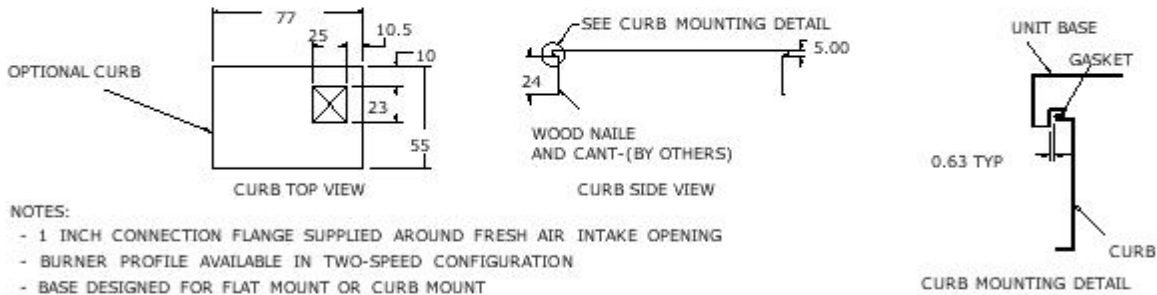
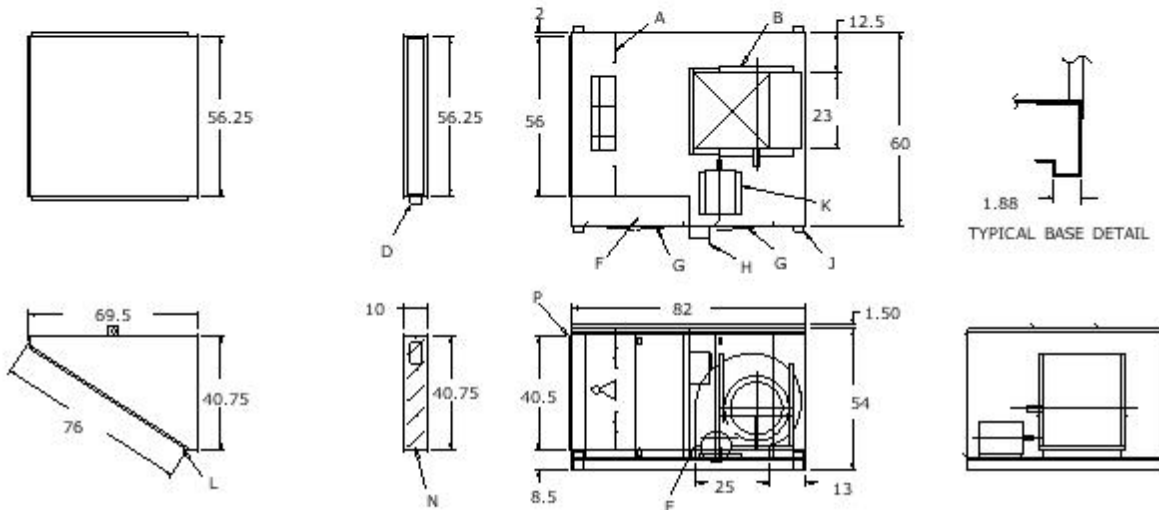




CAH 20

- A - BURNER PROFILE
- B - FC DWDI BLOWER
- D - DAMPER MOTOR
- E - GAS CONNECTION
- F - ELEC/MANIFOLD CONTROLS VESTIBULE
- G - HINGED SERVICE DOOR
- H - MAIN DISCONNECT SWITCH
- J - LIFTING LUG (4-PLACES)
- K - SUPPLY FAN BLOWER MOTOR
- L - STANDARD FRESH AIR INTAKE HOOD/FILTER COMBINATION (FILTERS SUPPLIED ONLY WHEN ORDERED)
- N - FRESH AIR INTAKE DAMPER
- P - FRESH AIR INTAKE OPENING



NOTES:

- 1 INCH CONNECTION FLANGE SUPPLIED AROUND FRESH AIR INTAKE OPENING
- BURNER PROFILE AVAILABLE IN TWO-SPEED CONFIGURATION
- BASE DESIGNED FOR FLAT MOUNT OR CURB MOUNT
- EQUIPMENT SUPPORT RECOMMENDED UNDER FRESH AIR INTAKE HOOD ON MODEL 22 & UP
- LIFTING EYES ARE LOCATED ON INTAKE & DISCHARGE ENDS ON MODEL 33/36
- FRESH AIR FILTER/HOOD QUANTITY = (6) 20 inch x 25 inch & (3) 16 inch x 25 inch