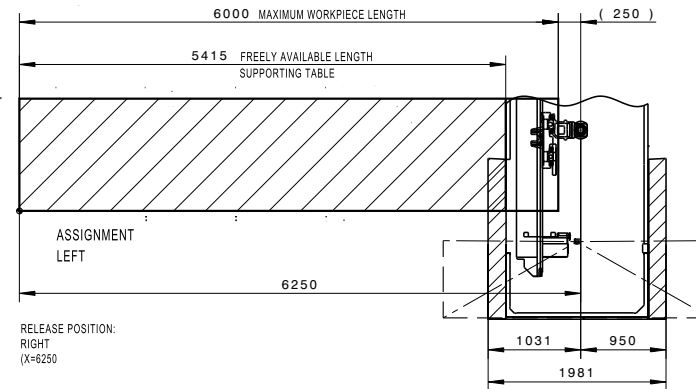
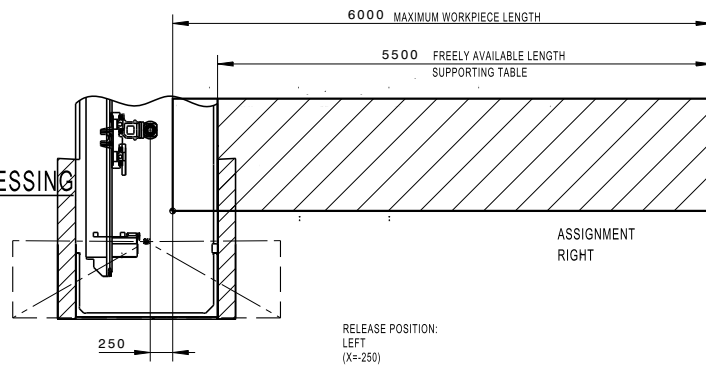
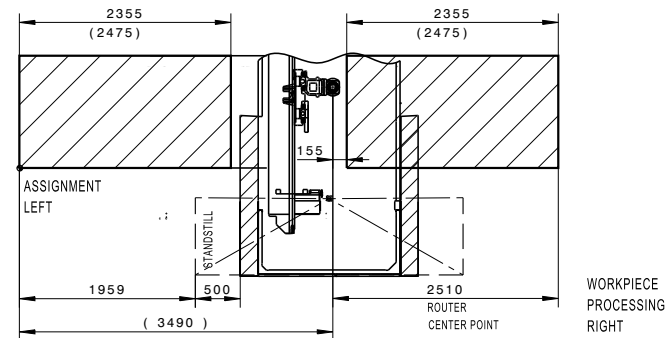
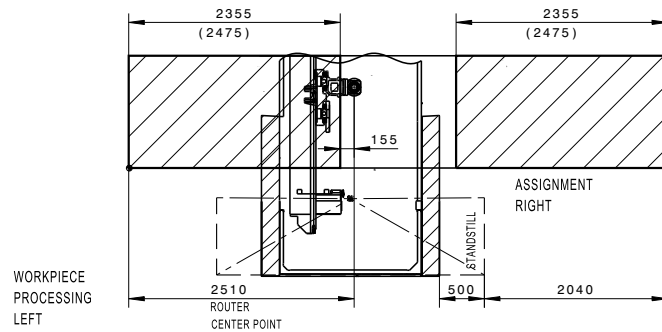


SINGLE-FIELD PROCESSING



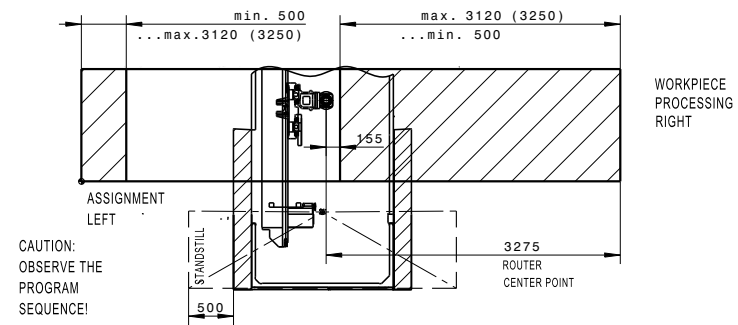
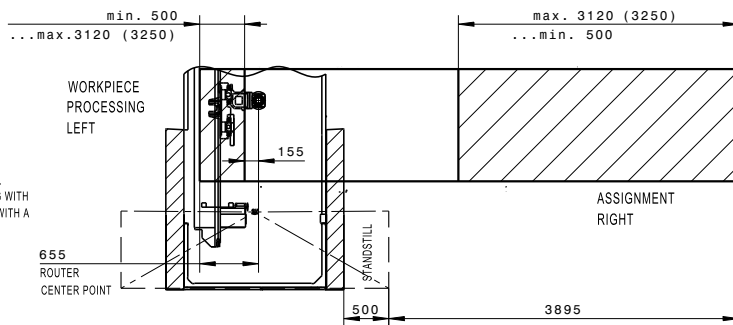
SHUTTLE OPERATION

WORKPIECE LENGTH 2355 MM
UNLIMITED AND COMPLETE PROCESSING WITH DRILLING GEAR; PROCESSING SPINDLE WITH A WORKING RADIUS OF 155 MM.



DYNAMIC ALTERNATE MODE

UNLIMITED AND COMPLETE PROCESSING WITH DRILLING GEAR; PROCESSING SPINDLE WITH A WORKING RADIUS OF 155 MM.



() TRIMMING WORKING WITH TOOL D = 25 MM

THIS DRAWING SERVES AS EXPLANATION FOR OUR QUOTATION. IT IS NOT BINDING FOR THE FINAL EXECUTION.

CENTATEQ P-210
V BMG210/60/K+A
BASIC / FUTURE / PERFORMANCE

WITHOUT OUR PERMISSION THIS DRAWING MUST NOT BE REPRODUCED NOR DUPLICATED NOR MADE ACCESSIBLE TO THIRD PARTIES OR COMPETITORS

MATERIAL		-	
CAST MODEL		-	
1:50		KGM DM1	
WORKPIECE		CENTATEQ P-210	
PLAN NO.		9-817-17-4610	
A3		000 (C) Copyright reserved	



CENTATEQ P-210
0-250-88-0826

9-817-17-4610
WORKPIECE CENTATEQ P-210

DOCUMENTATION D.93

